

User's and Service Guide

Agilent Technologies 85050C 7 mm Precision Calibration Kit

This manual applies directly to 85050C calibration kits with serial number prefix 3106A. The calibration devices in this kit are individually serialized. Record the device serial numbers in the table provided in this manual (see “Recording the Device Serial Numbers” in Chapter 1.)



Agilent Part Number: 85050-90051

Printed in USA

Print Date: August 2010

Supersedes: March 2010

© Copyright 1994, 1996, 2001, 2002, 2006, 2008, 2010 Agilent Technologies, Inc. All rights reserved.

WARRANTY STATEMENT

THE MATERIAL CONTAINED IN THIS DOCUMENT IS PROVIDED “AS IS,” AND IS SUBJECT TO BEING CHANGED, WITHOUT NOTICE, IN FUTURE EDITIONS. FURTHER, TO THE MAXIMUM EXTENT PERMITTED BY APPLICABLE LAW, AGILENT DISCLAIMS ALL WARRANTIES, EITHER EXPRESS OR IMPLIED WITH REGARD TO THIS MANUAL AND ANY INFORMATION CONTAINED HEREIN, INCLUDING BUT NOT LIMITED TO THE IMPLIED WARRANTIES OF MERCHANTABILITY AND FITNESS FOR A PARTICULAR PURPOSE. AGILENT SHALL NOT BE LIABLE FOR ERRORS OR FOR INCIDENTAL OR CONSEQUENTIAL DAMAGES IN CONNECTION WITH THE FURNISHING, USE, OR PERFORMANCE OF THIS DOCUMENT OR ANY INFORMATION CONTAINED HEREIN. SHOULD AGILENT AND THE USER HAVE A SEPARATE WRITTEN AGREEMENT WITH WARRANTY TERMS COVERING THE MATERIAL IN THIS DOCUMENT THAT CONFLICT WITH THESE TERMS, THE WARRANTY TERMS IN THE SEPARATE AGREEMENT WILL CONTROL.

DFARS/Restricted Rights Notice

If software is for use in the performance of a U.S. Government prime contract or subcontract, Software is delivered and licensed as “Commercial computer software” as defined in DFAR 252.227-7014 (June 1995), or as a “commercial item” as defined in FAR 2.101(a) or as “Restricted computer software” as defined in FAR 52.227-19 (June 1987) or any equivalent agency regulation or contract clause. Use, duplication or disclosure of Software is subject to Agilent Technologies’ standard commercial license terms, and non-DOD Departments and Agencies of the U.S. Government will receive no greater than Restricted Rights as defined in FAR 52.227-19(c)(1-2) (June 1987). U.S. Government users will receive no greater than Limited Rights as defined in FAR 52.227-14 (June 1987) or DFAR 252.227-7015 (b)(2) (November 1995), as applicable in any technical data.

Certification

Agilent Technologies, Inc. certifies that this product met its published specifications at the time of shipment from the factory. Agilent Technologies, Inc. further certifies that its calibration measurements are traceable to the United States National Institute of Standards and Technology, to the extent allowed by the Institute's calibration facility, and to the calibration facilities of other International Standards Organization members.

Assistance

Product maintenance agreements and other customer assistance agreements are available for Agilent products.

For any assistance, contact Agilent Technologies. Refer to “Contacting Agilent” on page 4.

Printing Copies of Documentation from the Web

To print copies of documentation from the Web, download the PDF file from the Agilent web site:

- Go to www.agilent.com.
- Enter the document’s part number (located on the title page) in the **Search** box.
- Click Search.
- Click on the hyperlink for the document.
- Click the printer icon located in the tool bar.

1. General Information

Calibration Kit Overview	1-2
Kit Contents	1-2
Calibration Definitions	1-3
Incoming Inspection	1-3
Serial Numbers	1-4
Recording the Device Serial Numbers	1-4
Calibration Kits Documented in This Manual	1-5
Calibration Kit History	1-5
85050C Kits with Serial Prefix 3027A	1-5
Preventive Maintenance	1-5
When to Calibrate	1-6

2. Specifications

Environmental Requirements	2-2
Temperature—What to Watch Out For	2-2
Mechanical Characteristics	2-3
Pin Depth	2-3
Precision Airline	2-5
Electrical Specifications	2-7
Certification	2-7

3. Use, Maintenance, and Care of the Devices

Electrostatic Discharge	3-2
Visual Inspection	3-3
Look for Obvious Defects and Damage First	3-3
Inspect the Mating Plane Surfaces	3-3
Cleaning Connectors	3-4
Gaging Connectors	3-6
Connector Gage Accuracy	3-6
When to Gage Connectors	3-6
Reading the Connector Gage	3-7
Gaging Procedure	3-8
Gaging the Airline	3-11
Connections	3-13
How to Make a Connection	3-13
How to Separate a Connection	3-15
Using the TRL Adapter	3-16
Pin/Collet Assemblies	3-19
Using the Pin/Collet Assemblies	3-19
Using the Centering Beads	3-19
Handling and Storage	3-20

4. Performance Verification

Introduction	4-2
How Agilent Verifies the Devices in Your Kit	4-2

Contents

Recertification	4-3
How Often to Recertify	4-3
Where to Send a Kit for Recertification	4-3

5. Troubleshooting

Troubleshooting Process	5-2
Where to Look for More Information	5-3
Returning a Kit or Device to Agilent	5-3
Contacting Agilent	5-4

6. Replaceable Parts

Introduction	6-2
--------------------	-----

A. Standard Definitions

Class Assignments and Standard Definitions Values are Available on the Web	A-2
--	-----

1 General Information

Calibration Kit Overview

The Agilent 85050C 7 mm calibration kit is used to calibrate Agilent network analyzers up to 18 GHz for measurements of components with 7 mm connectors.

The standards in this calibration kit allow you to perform 2-port TRL (thru-reflect-line) calibrations.

This manual describes the 85050C calibration kit and provides replacement part numbers, specifications, and procedures for using, maintaining, and troubleshooting the kit.

Kit Contents

The 85050C calibration kit includes the following items:

- calibration kit storage kit
- user's and service guide
- offset open and shorts, broadband load, and lowband load termination
- 7 mm to 7 mm precision airline
- 7 mm to 7 mm TRL adapter
- screw-on gage 7 mm
- collet extractor tool
- center conductor collets
- pin-collet assembly
- 3/4 in, 135 N-cm (12 in-lb) torque wrench for use on the 7 mm connectors

Refer to [Table 6-1 on page 6-2](#) and for a complete list of kit contents and their associated part numbers.

Offset Opens and Shorts

The offset opens and shorts are built from parts that are machined to the current state-of-the-art in precision machining.

The offset short's inner conductors have a one-piece construction, common with the shorting plane. The construction provides for extremely repeatable connections.

The offset opens have inner conductors that are supported by a strong, low-dielectric constant plastic to minimize compensation values.

Both the opens and shorts are constructed so that the pin depth can be controlled very tightly, thereby minimizing phase errors. The lengths of the offsets in the opens and shorts are designed so that the difference in phase of their reflection coefficients is approximately 180 degrees at all frequencies.

Broadband Load

The broadband load is a metrology-grade termination that has been optimized for performance up to 18 GHz. The rugged internal structure provides for highly repeatable connections. A distributed resistive element on sapphire provides excellent stability and return loss. The broadband load is a valid substitute for a lowband load.

Precision Airline

The precision airline is a metrology-grade impedance reference device. The characteristic impedance (Z_0) of the line establishes the reference impedance after error correction is applied.

Calibration Definitions

The calibration kit must be selected and the calibration definitions for the devices in the kit installed in the network analyzer prior to performing a calibration. Refer to your network analyzer user's guide for instructions on selecting the calibration kit and performing a calibration.

The calibration definitions can be:

- resident within the analyzer
- entered from the front panel

Class assignments and standard definitions may change as more accurate model and calibration methods are developed. You can download the most recent class assignments and standard definitions from Agilent's Calibration Kit Definitions Web page at www.na.tm.agilent.com/pna/caldefs/stddefs.html

NOTE The 8510 network analyzer is no longer being sold or supported by Agilent. However, you can download the 8510 class assignments and standard definitions from Agilent's Calibration Kit Definitions Web page at www.na.tm.agilent.com/pna/caldefs/stddefs.html

Installation of the Calibration Definitions

The calibration definitions for the kit may be permanently installed in the internal memory or hard disk of the network analyzer.

If the calibration definitions for the kit are not permanently installed in the network analyzer, they must be manually entered. Refer to your network analyzer user's guide for instructions.

Equipment Required but Not Supplied

Connector cleaning supplies and various electrostatic discharge (ESD) protection devices are not supplied with the calibration kit but are required to ensure successful operation of the kit. Refer to [Table 6-2 on page 6-3](#) for ordering information.

Incoming Inspection

Refer to “[Kit Contents](#)” on [page 1-2](#) to verify a complete shipment. Use [Table 1-1](#) to record the serial numbers of all serialized devices in your kit.

Check for damage. The foam-lined storage case provides protection during shipping. If the case or any device appears damaged, or if the shipment is incomplete, refer to “[Contacting Agilent](#)” on [page 5-4](#). Agilent will arrange for repair or replacement of incomplete or

damaged shipments without waiting for a settlement from the transportation company. See [“Returning a Kit or Device to Agilent” on page 5-3](#).

Serial Numbers

A serial number is attached to this calibration kit. The first four digits followed by a letter comprise the serial number prefix; the last five digits are the suffix, unique to each calibration kit.

Recording the Device Serial Numbers

In addition to the kit serial number, the devices in the kit are individually serialized (serial numbers are labeled onto the body of each device). Record these serial numbers in [Table 1-1](#). Recording the serial numbers will prevent confusing the devices in this kit with similar devices from other kits.

Table 1-1 Serial Number Record for the 85050C

Device	Serial Number
Calibration kit	_____
7 mm Precision Airline	_____
Lowband load	_____
Broadband load	_____
Open	_____
Short (collet style)	_____
Short (threaded center conductor style)	_____
TRL adapter	_____
Connector Gage	_____
Gage Master	_____

Calibration Kits Documented in This Manual

This manual applies to any 85050C calibration kit whose serial number is listed on the title page. If your calibration kit has a different serial number prefix, refer to the “[Calibration Kit History](#)” section below for information on how this manual applies.

Calibration Kit History

This section describes calibration kits with serial number prefixes lower than the ones listed on the title page.

85050C Kits with Serial Prefix 3027A

These calibration kits did not have a calibration definitions disk to support the Agilent 8510C network analyzer. The part numbers provided in this manual are the recommended replacement parts for these kits. The devices in these kits should meet the specifications published in this manual.

Preventive Maintenance

The best techniques for maintaining the integrity of the devices in the kit include:

- routine visual inspection
- cleaning
- proper gaging
- proper connection techniques

All of these are described in [Chapter 3](#), “[Use, Maintenance, and Care of the Devices.](#)” Failure to detect and remove dirt or metallic particles on a mating plane surface can degrade repeatability and accuracy and can damage any connector mated to it. Improper connections, resulting from pin depth values being out of the observed limits (see [Table 2-2 on page 2-5](#)) or from bad connection techniques, can also damage these devices.

When to Calibrate

A network analyzer calibration remains valid as long as the changes in the systematic error are insignificant. This means that changes to the uncorrected leakages (directivity and isolation), mismatches (source match and load match), and frequency response of the system are small (<10%) relative to accuracy specifications.

Change in the environment (especially temperature) between calibration and measurement is the major cause in calibration accuracy degradation. The major effect is a change in the physical length of external and internal cables. Other important causes are dirty and damaged test port connectors and calibration standards. If the connectors become dirty or damaged, measurement repeatability and accuracy is affected.

Fortunately, it is relatively easy to evaluate the general validity of the calibration. To test repeatability, remeasure one of the calibration standards. If you can not obtain repeatable measurements from your calibration standards, maintenance needs to be performed on the test port connectors, cables and calibration standards. Also, maintain at least one sample of the device under test or some known device as your reference device. A verification kit may be used for this purpose. After calibration, measure the reference device and note its responses. Periodically remeasure the device and note any changes in its corrected response which can be attributed to the test system. With experience you will be able to see changes in the reference responses that indicate a need to perform the measurement calibration again.

2 Specifications

Environmental Requirements

Table 2-1 Environmental Requirements

Parameter	Limits
Temperature	
Operating ^a	+20 °C to +26 °C
Storage	–40 °C to +75 °C
Error-corrected range ^b	± 1 °C of measurement calibration temperature
Relative humidity	Type tested, 0% to 95% at 40 °C, non-condensing

- a. The temperature range over which the calibration standards maintain conformance to their specifications.
- b. The allowable network analyzer ambient temperature drift during measurement calibration and during measurements when the network analyzer error correction is turned on. Also, the range over which the network analyzer maintains its specified performance while correction is turned on.

Temperature—What to Watch Out For

Changes in temperature can affect electrical characteristics. Therefore, the operating temperature is a critical factor in performance. During a measurement calibration, the temperature of the calibration devices must be stable and within the range shown in [Table 2-1](#).

IMPORTANT Avoid unnecessary handling of the devices during calibration because your fingers are a heat source.

Mechanical Characteristics

Mechanical characteristics such as center conductor protrusion and pin depth are *not* performance specifications. They are, however, important supplemental characteristics related to electrical performance. Agilent Technologies verifies the mechanical characteristics of the devices in the kit with special gaging processes and electrical testing. This ensures that the device connectors do not exhibit any center conductor protrusion or improper pin depth when the kit leaves the factory.

“[Gaging Connectors](#)” on [page 3-6](#) explains how to use gages to determine if the kit devices have maintained their mechanical integrity. Refer to [Table 2-2 on page 2-5](#) for typical and observed pin depth limits.

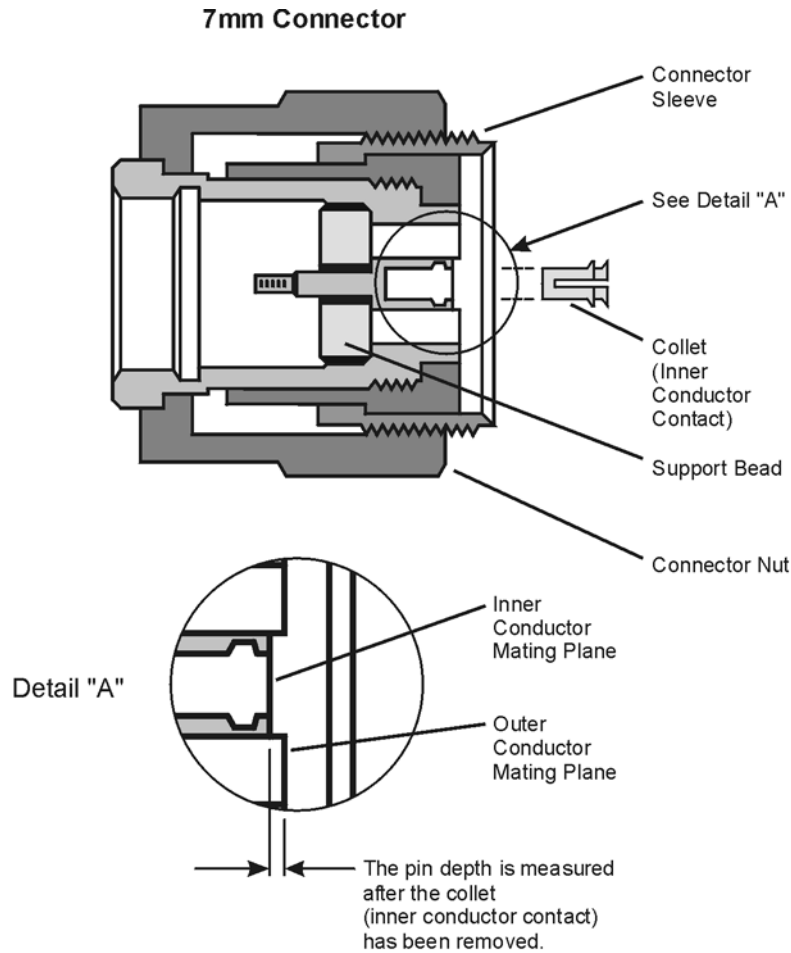
Pin Depth

Pin depth is the distance the center conductor mating plane differs from being flush with the outer conductor mating plane. See [Figure 2-1](#). The pin depth of a connector can be in one of two states: either protruding or recessed.

Protrusion is the condition in which the center conductor extends beyond the outer conductor mating plane. This condition will indicate a positive value on the connector gage.

Recession is the condition in which the center conductor is set back from the outer conductor mating plane. This condition will indicate a negative value on the connector gage.

Figure 2-1 Connector Pin Depth



pi51b

The pin depth value of each calibration device in the kit is not specified, but is an important mechanical parameter. The electrical performance of the device depends, to some extent, on its pin depth. The electrical specifications for each device in the kit take into account the effect of pin depth on the device's performance. [Table 2-2](#) lists the typical pin depths and measurement uncertainties, and provides observed pin depth limits for the devices in the kit. If the pin depth of a device does not measure within the *observed* pin depth limits, it may be an indication that the device fails to meet electrical specifications. Refer to [Figure 2-1](#) for a visual representation of proper pin depth (slightly recessed).

Table 2-2 Pin Depth Limits

Device	Typical Pin Depth Inches Millimeters	Measurement Uncertainty ^a Inches Millimeters	Observed Pin Depth Limits ^b Inches Millimeters
Opens	0 to -5.0 0 to -12.7	+ 4.0 to -4.0 +10.20 to -10.20	+4.0 to -9.0 +10.20 to -22.90
Shorts	+1.0 to -1.0 +2.54 to -2.54	+2.5 to -2.5 +6.4 to -6.4	+3.5 to -3.5 +8.9 to -8.9
Lowband loads	-2 to -25.0 -5 to -63.5	+1.6 to -1.6 +4.1 to -4.1	-0.4 to -26.6 -0.9 to -67.6
Broadband loads	0 to -3.0 0 to -7.62	+1.6 to -1.6 +4.1 to -4.1	+1.6 to -4.6 +4.1 to -11.7
TRL adapter (test port end)	0 to -20.0 0 to -50.8	+1.6 to -1.6 +4.1 to -4.1	+1.6 to -21.6 +4.1 to -54.9
TRL adapter (airline end)	0 to -2.0 0 to -5.1	+1.6 to -1.6 +4.1 to -4.1	+1.6 to -3.6 +4.1 to -9.1

- a. Approximately +2 sigma to -2 sigma of gage uncertainty based on studies done at the factory according to recommended procedures.
- b. Observed pin depth limits are the range of observation limits seen on the gage reading due to measurement uncertainty. The depth could still be within specifications.

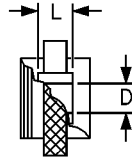
NOTE When measuring pin depth, the measured value (resultant average of three or more measurements) is *not* the true value. Always compare the measured value with the observed pin depth limits in [Table 2-2](#) to evaluate the condition of device connectors.

Precision Airline

- The actual length of the calibration airline is on a label installed in a recess within the knurled portion of the outer conductor.
- Diameters “D” and “d” are matched in the factory to assure a return loss ≥ 60 dB. Do *not* intermix the center and outer conductors between calibration kits.
- Measurement by the user of the diameters is *not* recommended, and will cause damage to the calibration airline, due to the lack of proper measuring equipment and tooling.

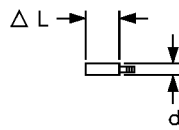
Figure 2-2 7 mm Airline Mechanical Dimensions

7mm Precision Airline



Outer Conductor

$$D^{2,3} = \begin{matrix} 0.2756 \pm 0.0002 \text{ in.} \\ 7.000 \pm 0.0051 \text{ mm} \end{matrix} \quad L^1 = \begin{matrix} 0.2736 \pm 0.0008 \text{ in.} \\ 6.95 \pm 0.02 \text{ mm} \end{matrix}$$



Center Conductor

$$d^{2,3} = \begin{matrix} 0.1197 \pm 0.00009 \text{ in.} \\ 3.040 \pm 0.0022 \text{ mm} \end{matrix} \quad \Delta L = L \pm \begin{matrix} 0.00008 \text{ in.} \\ 0.002 \text{ mm} \end{matrix}$$

airline

Electrical Specifications

The electrical specifications in [Table 2-3](#) apply to the devices in your calibration kit when connected with an Agilent precision interface.

Table 2-3 Electrical Specifications for 85050C 7 mm Devices

Device	Specification	Frequency (GHz)
Lowband load	≥ 52 dB Return loss	dc to 2 GHz
Broadband load	≥ 38 dB Return loss	dc to 18 GHz
Short ^a (collet style)	$\pm 0.2^\circ$ from nominal $\pm 0.3^\circ$ from nominal $\pm 0.5^\circ$ from nominal	dc to 2 GHz ^b 2 to 8 GHz ^b 8 to 18 GHz ^b
Short ^a (threaded center conductor style)	$\pm 0.2^\circ$ from nominal $\pm 0.3^\circ$ from nominal $\pm 0.5^\circ$ from nominal	dc to 2 GHz ^b 2 to 8 GHz ^b 8 to 18 GHz ^b
Open ^a	$\pm 0.3^\circ$ from nominal $\pm 0.4^\circ$ from nominal $\pm 0.6^\circ$ from nominal	dc to 2 GHz ^b 2 to 18 GHz ^b 8 to 18 GHz ^b
Precision Airline	≥ 60 dB Return loss	2 to 18 GHz ^c

- a. The specifications for the opens and shorts are given as allowed deviation from the nominal model as defined in the standard definitions.
- b. Nominal, in this case, means the electrical characteristics as defined by the calibration definitions from Agilent's Calibration Kit Definitions Web page at www.na.tm.agilent.com/pna/caldefs/stddefs.html
- c. This specification is based on mechanical measurements. Refer to the Certificate of Calibration that came with your kit for the exact dimensions of your airline.

Certification

Agilent Technologies certifies that this product met its published specifications at the time of shipment from the factory. Agilent further certifies that its calibration measurements are traceable to the United States National Institute of Standards and Technology (NIST) to the extent allowed by the institute's calibration facility, and to the calibration facilities of other International Standards Organization members. See [“How Agilent Verifies the Devices in Your Kit”](#) on page 4-2 for more information.

3 Use, Maintenance, and Care of the Devices

Electrostatic Discharge

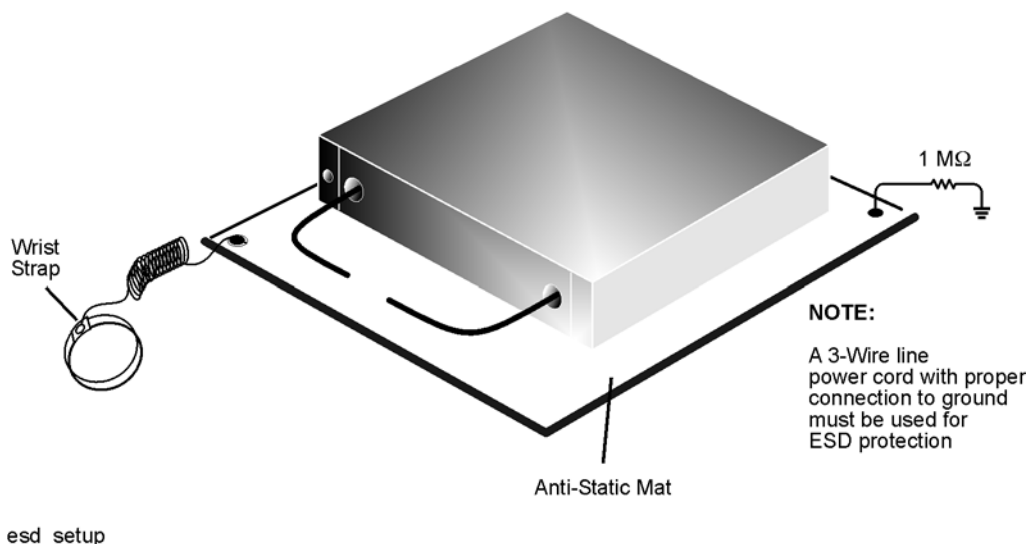
Protection against electrostatic discharge (ESD) is essential while connecting, inspecting, or cleaning connectors attached to a static-sensitive circuit (such as those found in test sets).

Static electricity can build up on your body and can easily damage sensitive internal circuit elements when discharged. Static discharges too small to be felt can cause permanent damage. Devices such as calibration components and devices under test (DUT), can also carry an electrostatic charge. To prevent damage to the test set, components, and devices:

- *Always* wear a grounded wrist strap having a 1 M Ω resistor in series with it when handling components and devices or when making connections to the test set.
- *Always* use a grounded antistatic mat in front of your test equipment.
- *Always* wear a heel strap when working in an area with a conductive floor. If you are uncertain about the conductivity of your floor, wear a heel strap.
- *Always* ground yourself before you clean, inspect, or make a connection to a static-sensitive device or test port. You can, for example, grasp the grounded outer shell of the test port or cable connector briefly.
- *Always* ground the center conductor of a test cable before making a connection to the analyzer test port or other static-sensitive device. This can be done as follows:
 1. Connect a short (from your calibration kit) to one end of the cable to short the center conductor to the outer conductor.
 2. While wearing a grounded wrist strap, grasp the outer shell of the cable connector.
 3. Connect the other end of the cable to the test port.
 4. Remove the short from the cable.

Figure 3-1 shows a typical ESD protection setup using a grounded mat and wrist strap. Refer to Chapter 6, “Replaceable Parts,” for information on ordering supplies for ESD protection.

Figure 3-1 ESD Protection Setup



Visual Inspection

Visual inspection and, if necessary, cleaning should be done every time a connection is made. Metal particles from the connector threads may fall into the connector when it is disconnected. One connection made with a dirty or damaged connector can damage both connectors beyond repair.

Magnification is helpful when inspecting connectors, but it is not required and may actually be misleading. Defects and damage that cannot be seen without magnification generally have no effect on electrical or mechanical performance. Magnification is of great use in analyzing the nature and cause of damage and in cleaning connectors, but it is not required for inspection.

Look for Obvious Defects and Damage First

Examine the connectors first for obvious defects and damage: badly worn plating on the connector interface, deformed threads, or bent, broken, or misaligned center conductors. Connector nuts should move smoothly and be free of burrs, loose metal particles, and rough spots.

What Causes Connector Wear?

Connector wear is caused by connecting and disconnecting the devices. The more use a connector gets, the faster it wears and degrades. The wear is greatly accelerated when connectors are not kept clean, or are not connected properly.

Connector wear eventually degrades performance of the device. Calibration devices should have a long life if their use is on the order of a few times per week. Replace devices with worn connectors.

The test port connectors on the network analyzer test set may have many connections each day, and are, therefore, more subject to wear. It is recommended that an adapter be used as a test port saver to minimize the wear on the test set's test port connectors.

Inspect the Mating Plane Surfaces

Flat contact between the connectors at all points on their mating plane surfaces is required for a good connection. See [Figure 2-1 on page 2-4](#). Look especially for deep scratches or dents, and for dirt and metal particles on the connector mating plane surfaces. Also look for signs of damage due to excessive or uneven wear or misalignment.

Light burnishing of the mating plane surfaces is normal, and is evident as light scratches or shallow circular marks distributed more or less uniformly over the mating plane surface. Other small defects and cosmetic imperfections are also normal. None of these affect electrical or mechanical performance.

If a connector shows deep scratches or dents, particles clinging to the mating plane surfaces, or uneven wear, clean and inspect it again. Devices with damaged connectors should be discarded. Determine the cause of damage before connecting a new, undamaged connector in the same configuration.

Cleaning Connectors

Clean connectors are essential for ensuring the integrity of RF and microwave coaxial connections.

1. Use Compressed Air or Nitrogen

WARNING Always use protective eyewear when using compressed air or nitrogen.

Use compressed air (or nitrogen) to loosen particles on the connector mating plane surfaces. Clean air cannot damage a connector or leave particles or residues behind.

You can use any source of clean, dry, low-pressure compressed air or nitrogen that has an effective oil-vapor filter and liquid condensation trap placed just before the outlet hose.

Ground the hose nozzle to prevent electrostatic discharge, and set the air pressure to less than 414 kPa (60 psi) to control the velocity of the air stream. High-velocity streams of compressed air can cause electrostatic effects when directed into a connector. These electrostatic effects can damage the device. Refer to “[Electrostatic Discharge](#)” earlier in this chapter for additional information.

2. Clean the Connector Threads

WARNING Keep isopropyl alcohol away from heat, sparks, and flame. Store in a tightly closed container. It is extremely flammable. In case of fire, use alcohol foam, dry chemical, or carbon dioxide; water may be ineffective.

Use isopropyl alcohol with adequate ventilation and avoid contact with eyes, skin, and clothing. It causes skin irritation, may cause eye damage, and is harmful if swallowed or inhaled. It may be harmful if absorbed through the skin. Wash thoroughly after handling.

In case of spill, soak up with sand or earth. Flush spill area with water.

Dispose of isopropyl alcohol in accordance with all applicable federal, state, and local environmental regulations.

Use a lint-free swab or cleaning cloth moistened with isopropyl alcohol to remove any dirt or stubborn contaminants on a connector that cannot be removed with compressed air or nitrogen. Refer to [Table 6-2 on page 6-3](#) for a part number for cleaning swabs.

- a. Apply a small amount of isopropyl alcohol to a lint-free cleaning swab.
- b. Clean the connector threads.
- c. Let the alcohol evaporate, then blow the threads dry with a gentle stream of clean, low-pressure compressed air or nitrogen. Always completely dry a connector before you reassemble or use it.

3. Clean the Mating Plane Surfaces

- a. Apply a small amount of isopropyl alcohol to a lint-free cleaning swab.
- b. Clean the center and outer conductor mating plane surfaces. Refer to [Figure 2-1 on page 2-4](#). When cleaning a female connector, avoid snagging the swab on the center conductor contact fingers by using short strokes.
- c. Let the alcohol evaporate, then blow the connector dry with a gentle stream of clean, low-pressure compressed air or nitrogen. Always completely dry a connector before you reassemble or use it.

4. Inspect

Inspect the connector to make sure that no particles or residue remain. Refer to [“Visual Inspection” on page 3-3](#).

Gaging Connectors

The gages available from Agilent Technologies are intended for preventive maintenance and troubleshooting purposes only. See [Table 6-1 on page 6-2](#) for part number information. They are effective in detecting excessive center conductor protrusion or recession, and conductor damage on DUTs, test accessories, and the calibration kit devices. Do not use the gages for precise pin depth measurements.

Connector Gage Accuracy

The connector gages are only capable of performing coarse measurements. They do not provide the degree of accuracy necessary to precisely measure the pin depth of the kit devices. This is partially due to the repeatability uncertainties that are associated with the measurement. Only the factory—through special gaging processes and electrical testing—can accurately verify the mechanical characteristics of the devices.

With proper technique, the gages are useful in detecting gross pin depth errors on device connectors. To achieve maximum accuracy, random errors must be reduced by taking the average of at least three measurements having different gage orientations on the connector. Even the resultant average can be in error by as much as ± 0.0001 inch due to systematic (biasing) errors usually resulting from worn gages and gage masters. As the gages undergo more use, the systematic errors can become more significant in the accuracy of the measurement.

When to Gage Connectors

Gage a connector at the following times:

- Prior to using a device for the first time: record the pin depth measurement so that it can be compared with future readings. It will serve as a good troubleshooting tool when you suspect damage may have occurred to the device.

NOTE When measuring pin depth, the measured value (resultant average of three or more measurements) contains measurement uncertainty is not necessarily the true value. Always compare the measured value with the *observed* pin depth limits (which account for measurement uncertainties) in [Table 2-2 on page 2-5](#) to evaluate the condition of device connectors.

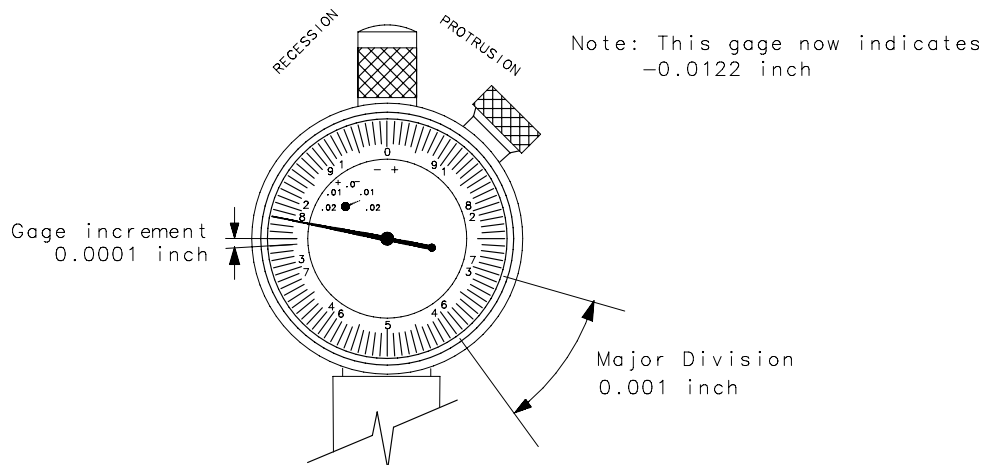
- If either visual inspection or electrical performance suggests that the connector interface may be out of typical range (due to wear or damage, for example).
- If a calibration device is used by someone else or on another system or piece of equipment.
- Initially after every 100 connections, and after that as often as experience indicates.

Reading the Connector Gage

The gage dial is divided into increments of 0.0001 inch and major divisions of 0.001 inch (see [Figure 3-2](#)). For each revolution of the large dial, the smaller dial indicates a change of 0.01 inch. Use the small dial as the indicator of multiples of 0.01 inch. In most connector measuring applications, this value will be zero.

When making a measurement, the gage dial indicator will travel in one of two directions. If the center conductor is recessed from the *zero* reference plane, the indicator will move counterclockwise to indicate the amount of **recession**, which is read as a negative value. If the center conductor protrudes, the indicator will move clockwise to indicate the amount of **protrusion**, which is read as a positive value. Refer to [“Pin Depth” on page 2-3](#) for definitions of protrusion and recession.

Figure 3-2 Reading the Connector Gage



wj57f

Gaging Procedure

NOTE Always hold a connector gage by the gage barrel, below the dial indicator. This gives the best stability, and improves measurement accuracy.

1. Select the proper gage for your connector. Refer to [Table 6-1 on page 6-2](#) for gage part number.
2. Inspect and clean the gage, gage master, and device to be gaged. Refer to [“Visual Inspection” on page 3-3](#) and [“Cleaning Connectors” on page 3-4](#) of this chapter.
3. Zero the connector gage (refer to [Figure 3-3](#)):
 - a. While holding the gage by the barrel, and without turning the gage or the device, connect the gage master to the gage. Refer to [“Connections” on page 3-13](#) for more information. Connect the nut finger tight. Do not overtighten.
 - b. Using an open-end wrench to keep the gage from rotating, use the torque wrench recommended for use with the kit to tighten the gage master connector nut to the specified torque. Refer to [“Final Connection Using a Torque Wrench” on page 3-13](#) for more information.
 - c. The gage pointer should line up exactly with the zero mark on the gage. If not, loosen the dial lock screw on the gage and rotate the gage dial so that the pointer is aligned with the zero mark.
 - d. Tighten the dial lock screw and remove the gage master.
 - e. Attach and torque the gage master to the gage once again to verify that the setting is repeatable. Remove the gage master.
4. Gage the device connector (refer to [Figure 3-3](#)):
 - a. If gaging one of the 50Ω loads in the kit, use a collet extractor tool to remove the center conductor collet from the device connector to be gaged. Refer to [Table 6-1 on page 6-2](#) for the part number of this extractor tool. Refer to [Figure 2-1 on page 2-4](#) for an illustration of the 7 mm connector and the location of the center conductor collet.
 - b. While holding the gage by the barrel, and without turning the gage or the device, connect the gage master to the device. Refer to [“Connections” on page 3-13](#) for more information. Connect the nut finger-tight. Do not overtighten.
 - c. Using an open-end wrench to keep the gage from rotating, use the torque wrench recommended for use with the kit to tighten the device connector nut to the specified torque. Refer to [“Final Connection Using a Torque Wrench” on page 3-13](#) for more information.

- d. Gently tap the barrel of the gage with your finger to settle the gage reading.
- e. Read the gage indicator dial. If the needle has moved clockwise, the center conductor is *protruding* by an amount indicated by the *black* numbers. If the needle has moved counterclockwise, the center conductor is *recessed* by an amount indicated by the *red* numbers.

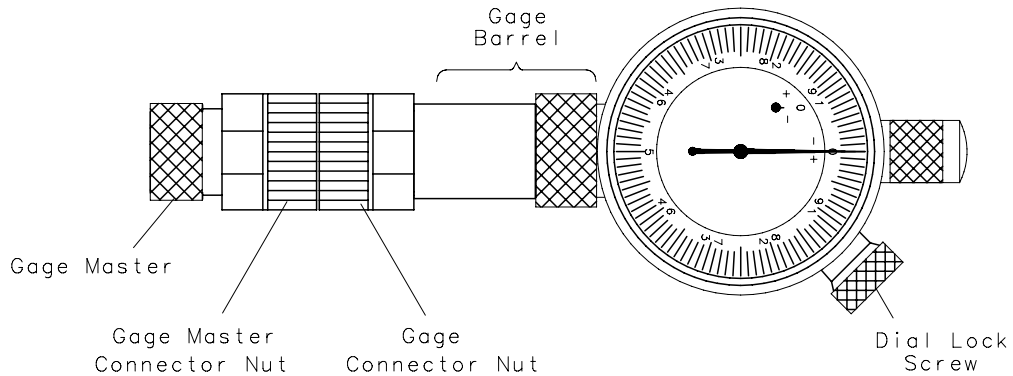
For maximum accuracy, measure the connector a minimum of three times and take an average of the readings. After each measurement, rotate the gage a quarter-turn to reduce measurement variations that result from the gage or the connector face not being exactly perpendicular to the center axis.

- f. Compare the average reading with the pin depth specifications listed in [Table 2-2 on page 2-5](#).
- g. Remove the device from the gage and replace the center conductor collet.

Figure 3-3 Gaging 7 mm Connectors

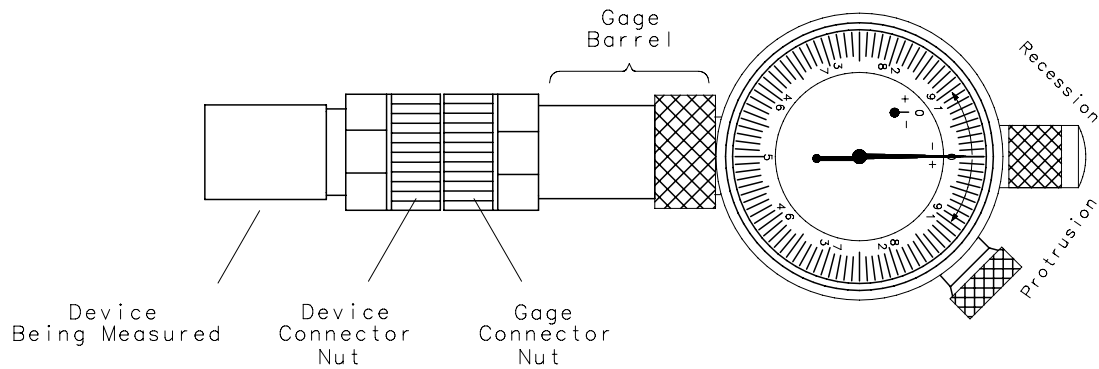
Zero the Connector Gage

- Connect the gage master to the gage.
- Torque the connecting nut.
- Loosen the dial lock screw.
- Rotate the gage dial so that the pointer is aligned with the zero mark.
- Tighten the dial lock screw.
- Remove the gage master.



Gage the Device Connector

- Connect the device to the gage.
- Torque the connecting nut.
- Gently tap the gage barrel to settle the reading.
- Read recession or protrusion from the gage.
- Remove the device.
- Repeat two additional times and average the three readings.



pi52b

Gaging the Airline

The airline center and outer conductor in this kit are measured and matched at the factory using special fixtures and gages. Use the following procedure to verify the length difference specification between the center and outer conductor.

1. Attach the short circuit with threaded center conductor to the gage. Torque the connection to 136 N-cm, (12 in-lb). Refer to [Figure 3-4](#).
2. Adjust the dial on the gage to read flush (0.000) when the short circuit is connected.
3. Remove the short circuit from the gage.
4. Attach the center conductor of the airline to the threaded short circuit termination. Finger tighten the connection. Refer to [Figure 3-5 on page 3-12](#).
5. Attach the gage to the other end of the airline. Turn the nut on the gage, do not rotate the gage. Hand tighten the connections.
6. Torque the airline to short circuit connection and the airline-to-gage connection to 136 N-cm (12 in-lb). Set the assembly down to let the temperature stabilize for five minutes.
7. The reading on the gage should be within the given tolerance band of the dimension measured 0.00025 inch; ± 0.0001 inch for factory uncertainties, ± 0.0001 inch for your gage accuracy, and ± 0.00005 inch for the mechanical tolerances of the airline (≤ 2.5 minor divisions).

Reverse the above procedure to remove the gage and short circuit from the airline.

Figure 3-4 Gaging the Short Circuit

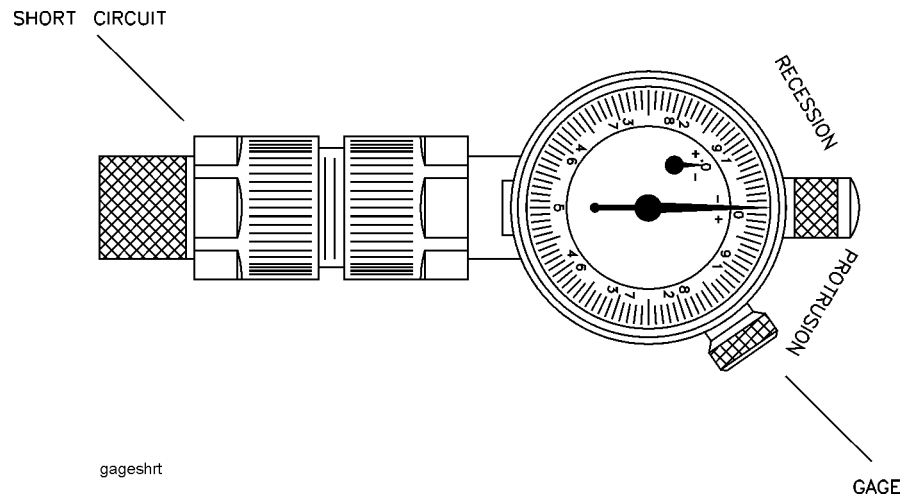
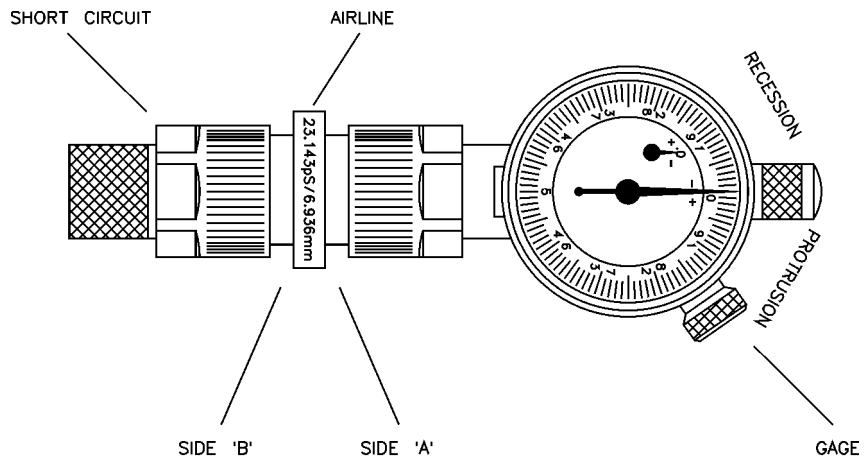


Figure 3-5 Gaging the Airline



gageair

Connections

Good connections require a skilled operator. *The most common cause of measurement error is bad connections.* The following procedures illustrate how to make good connections.

How to Make a Connection

Preliminary Connection

1. Ground yourself and all devices. Wear a grounded wrist strap and work on a grounded, conductive table mat. Refer to [“Electrostatic Discharge” on page 3-2](#) for ESD precautions.
2. Visually inspect the connectors. Refer to [“Visual Inspection” on page 3-3](#).
3. If necessary, clean the connectors. Refer to [“Cleaning Connectors” on page 3-4](#).
4. Use a connector gage to verify that all center conductors are within the pin depth specifications in [Table 2-2 on page 2-5](#). Refer to [“Gaging Connectors” on page 3-6](#).
5. Fully extend the connector sleeve on one of the connectors. Spin its knurled connector nut to make sure the threads are fully extended. Fully retract the sleeve on the other connector. The extended sleeve creates a cylinder into which the other connector fits.
If one of the connectors is fixed (such as on a test port), fully extend that connector sleeve and fully retract the sleeve on the moveable connector.
6. Carefully align the connectors. As you make the actual connection, be sure the connectors align perfectly.
7. Push the connectors straight together. Do *not* twist or screw the connectors together.
8. Engage the connector nut (of the connector with the retracted sleeve) over the threads of the other connector (the connector with the extended sleeve). Turn only the connector nut. Let the connector nut pull the two connectors straight together.
9. Do not overtighten this connection. A connection in which the outer conductors make gentle contact at all points on both mating surfaces is sufficient. Very light finger pressure is enough to accomplish this.
10. Make sure the connectors are properly supported. Relieve any side pressure on the connection from long or heavy devices or cables.

Final Connection Using a Torque Wrench

Use a torque wrench to make a final connection. [Table 3-1](#) provides information about the torque wrench recommended for use with the calibration kit. A torque wrench is included in the calibration kit. Refer to [Table 6-1 on page 6-2](#) for replacement part number and ordering information.

Table 3-1 Torque Wrench Information

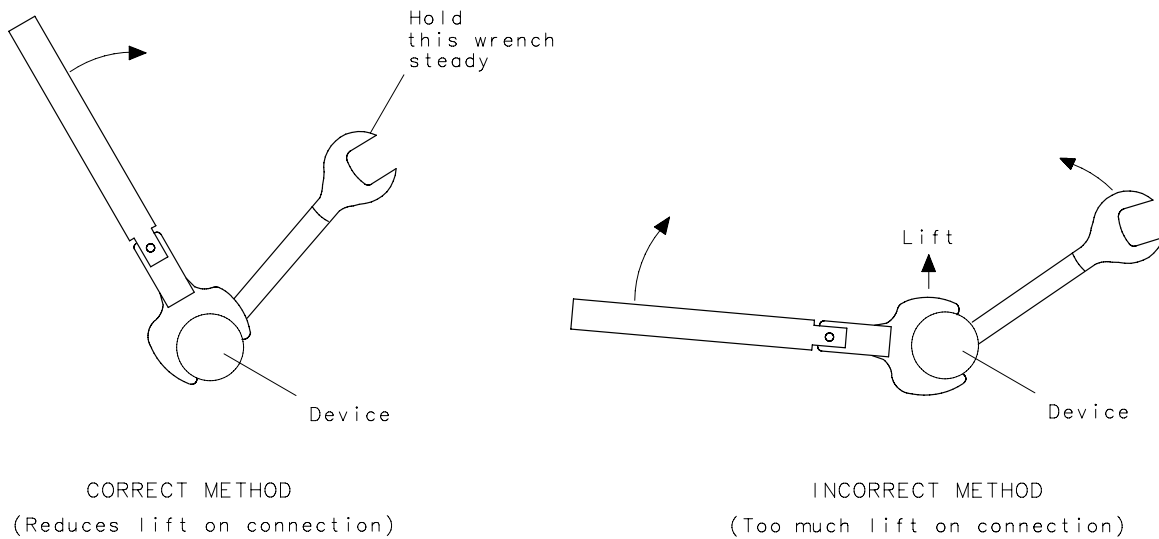
Connector Type	Torque Setting	Torque Tolerance
7 mm	136 N-cm (12 in-lb)	± 13.6 N-cm (± 1.2 in-lb)

Using a torque wrench guarantees that the connection is not too tight, preventing possible connector damage. It also guarantees that all connections are equally tight each time.

Prevent the rotation of anything other than the connector nut that you are tightening. It may be possible to do this by hand if one of the connectors is fixed (as on a test port). However, it is recommended that you use an open-end wrench to keep the body of the device from turning.

1. Position both wrenches within 90 degrees of each other before applying force. See [Figure 3-6](#). Wrenches opposing each other (greater than 90 degrees apart) will cause a lifting action which can misalign and stress the connections of the devices involved. This is especially true when several devices are connected together.

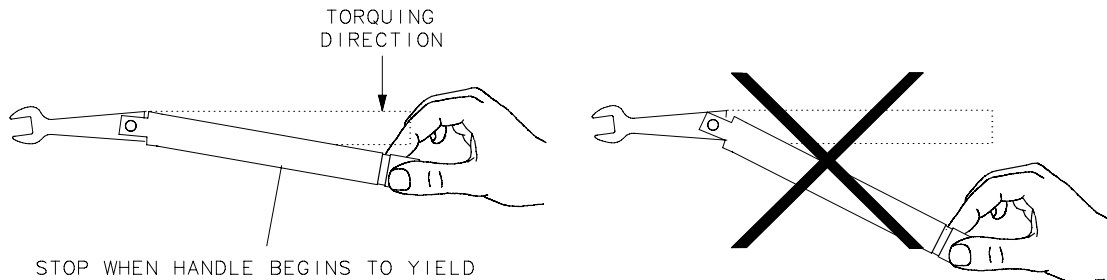
Figure 3-6 Wrench Positions



wj56f

2. Hold the torque wrench lightly, at the end of the handle only (beyond the groove). See [Figure 3-7](#).

Figure 3-7 Using the Torque Wrench



wj68d

3. Apply downward force perpendicular to the wrench handle. This applies torque to the connection through the wrench.

Do not hold the wrench so tightly that you push the handle straight down along its length rather than pivoting it, otherwise, you apply an unknown amount of torque.

4. Tighten the connection just to the torque wrench break point. The wrench handle gives way at its internal pivot point. See [Figure 3-7](#). Do not tighten the connection further.

CAUTION You don't have to fully break the handle of the torque wrench to reach the specified torque; doing so can cause the handle to kick back and loosen the connection. Any give at all in the handle is sufficient torque.

How to Separate a Connection

To avoid lateral (bending) force on the connector mating plane surfaces, always support the devices and connections.

CAUTION Do *not* turn the device body. Only turn the connector nut. Damage to the center conductor can occur if the device body is twisted.

1. Use an open-end wrench to prevent the device body from turning.
2. Use the torque wrench to loosen the connecting nut.
3. Complete the separation by hand, turning only the connecting nut.
4. Pull the connectors straight apart without twisting, rocking, or bending either of the connectors.

CAUTION Do *not* twist one connector out of the other (like removing a light bulb). Turn the connector nut, not the device body. Major damage to the center conductor can occur if the device body is twisted.

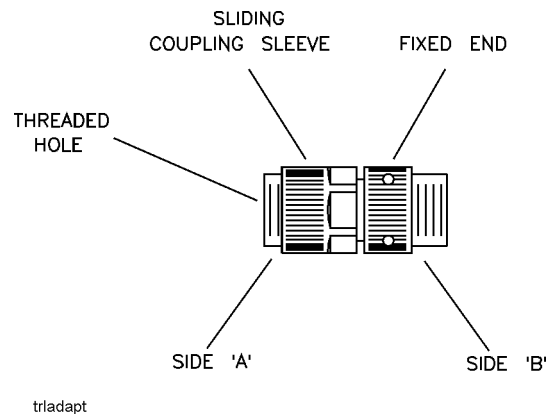
Using the TRL Adapter

This procedure provides step-by-step instructions for connecting the airline to a test port or cable connector through the TRL adapter.

NOTE Always use good electrostatic discharge (ESD) practices. See “[Electrostatic Discharge](#)” on page 3-2.

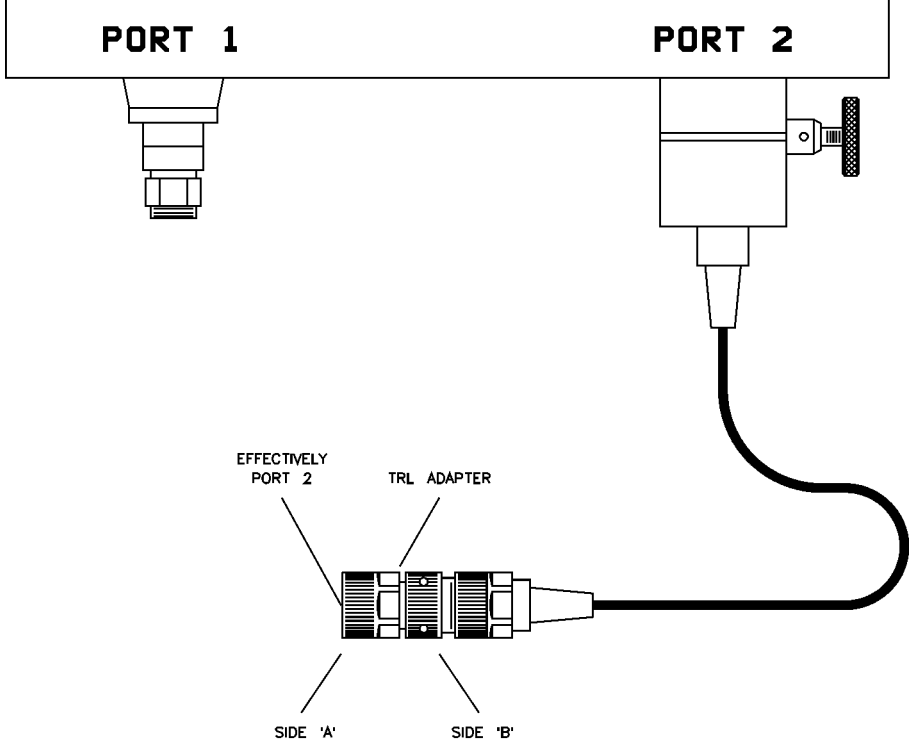
1. Be sure the test port bias voltage is OFF.
2. Note the orientation of the TRL adapter in [Figure 3-8](#).

Figure 3-8 TRL Adapter



3. As shown in [Figure 3-9](#), connect side “B” of the TRL adapter to the end of the cable on port 2. Side “A” of the TRL adapter is now port 2.

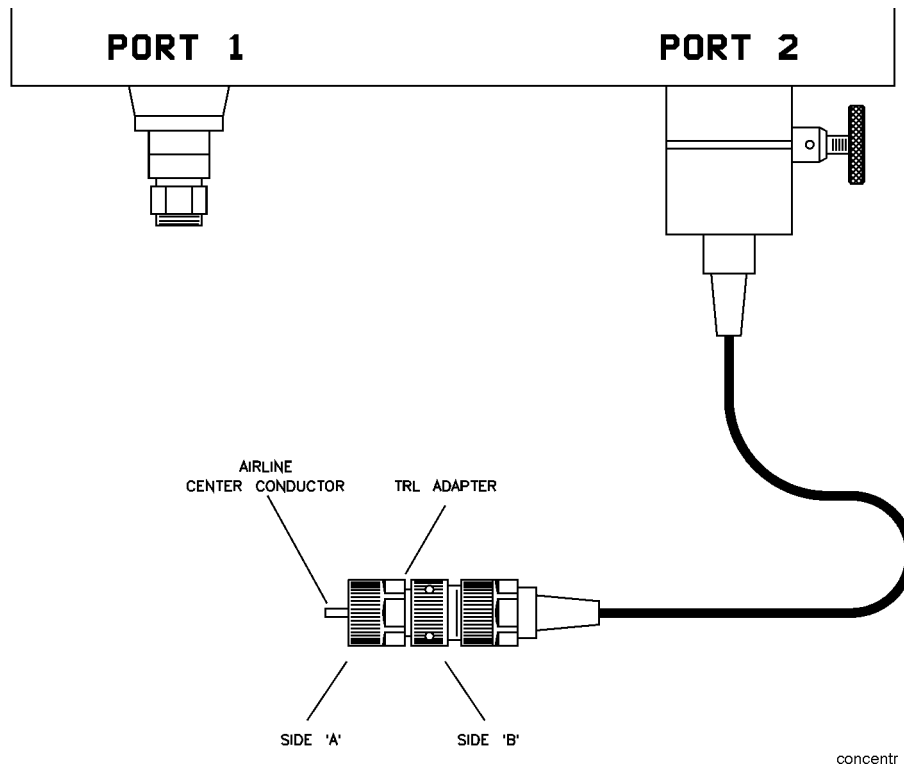
Figure 3-9 Connecting the TRL Adapter



equipcon

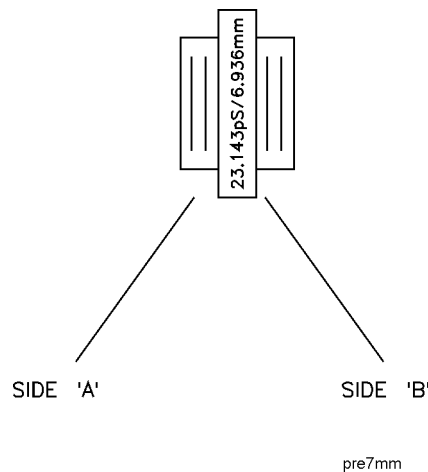
4. As shown in [Figure 3-10](#), attach the 7 mm precision airline's center conductor to side "A" of the TRL adapter. Screw in the center conductor just until it stops moving (finger tight).

Figure 3-10 Connecting the Airline Center Conductor



5. Note the orientation of the label on the airline outer conductor in [Figure 3-11](#)

Figure 3-11 7 mm Precision Airline



6. Position side "B" of the airline's outer conductor over the center conductor and attach it to the TRL adapter.
7. Connect side "A" of the airline to test port 1 (or to the end of the cable attached to the port). Torque both connections to 136 N-cm (12 in-lb).

Reverse the above procedure to disconnect the airline from the cables.

Pin/Collet Assemblies

CAUTION The pin/collet assemblies included in the 85050C calibration kit are for use with the airlines in the 85051B verification kit. These pin/collet assemblies must be used to assure valid verification data.

Do not use the 85051A verification kit to verify an 85050C calibration. The mechanical-end detail of the airlines in these verification kits is not compatible with the pin/collet assembly.

Using the Pin/Collet Assemblies

1. Withdraw the centering pin from the “B” ends of the 50 ohm airline center conductor and the 25 ohm mismatch airline center conductor.
2. Insert a pin/collet assembly into the “B” end of each center conductor and perform a verification as described in the appropriate verification kit manual or network analyzer manual. The “B” end of the airline is always connected to the TRL adapter. The TRL adapter does not have a collet of its own. Pin/collet assembly is necessary to assure a good connection between the airline and the adapter.

Pin/collet assemblies can remain in the airline center conductors unless they are to be installed and used in other 85051B verification airlines.

CAUTION 85051B verification kits with serial numbers of 2705A00163 and below, purchased before September, 1987, should be returned to the Mountain View Service Center, USA for recertification. Neglecting to do this may result in irreparable mechanical damage to either the airline or to the attaching connector.

Using the Centering Beads

The centering beads supplied are used when gaging the airlines contained in the 85051B verification kit. Do not use the centering beads with any device in this 85050C 7 mm precision calibration kit.

Handling and Storage

- Install the protective end caps and store the calibration devices in the foam-lined storage case when not in use.
- Never store connectors loose in a box, or in a desk or bench drawer. This is the most common cause of connector damage during storage.
- Keep connectors clean.
- Do not touch mating plane surfaces. Natural skin oils and microscopic particles of dirt are easily transferred to a connector interface and are very difficult to remove.
- Do not set connectors contact-end down on a hard surface. The plating and the mating plane surfaces can be damaged if the interface comes in contact with any hard surface.

4 Performance Verification

Introduction

The performance of your calibration kit can only be verified by returning the kit to Agilent Technologies for recertification. The equipment required to verify the specifications of the devices in the kit has been specially manufactured and is not commercially available.

How Agilent Verifies the Devices in Your Kit

Agilent verifies the specifications of these devices as follows:

1. The residual microwave error terms of the test system are verified with precision airlines and shorts that are directly traced to the National Institute of Standards and Technology (NIST). The airline and short characteristics are developed from mechanical measurements. The mechanical measurements and material properties are carefully modeled to give very accurate electrical representation. The mechanical measurements are then traced to NIST through various plug and ring gages and other mechanical measurements.
2. Each calibration device is electrically tested on this system. For the initial (before sale) testing of the calibration devices, Agilent includes the test measurement uncertainty as a guardband to guarantee each device meets the published specification. For recertifications (after sale), no guardband is used and the measured data is compared directly with the specification to determine the pass or fail status. The measurement uncertainty for each device is, however, recorded in the calibration report that accompanies recertified kits.

These two steps establish a traceable link to NIST for Agilent to the extent allowed by the institute's calibration facility. The specifications data provided for the devices in the kit is traceable to NIST through Agilent Technologies.

Recertification

The following will be provided with a recertified kit:

- a new calibration sticker affixed to the case
- a certificate of calibration
- a calibration report for each device in the kit listing measured values, specifications, and uncertainties

NOTE A list of NIST traceable numbers may be purchased upon request to be included in the calibration report.

Agilent Technologies offers a *Standard* calibration for the recertification of the kit. For more information, contact Agilent Technologies. Refer to [“Contacting Agilent” on page 5-4](#) for a list of offices.

How Often to Recertify

The suggested initial interval for recertification is 12 months or sooner. The actual need for recertification depends on the use of the kit. After reviewing the results of the initial recertification, you may establish a different recertification interval that reflects the usage and wear of the kit.

NOTE The recertification interval should begin on the date the kit is *first used* after the recertification date.

Where to Send a Kit for Recertification

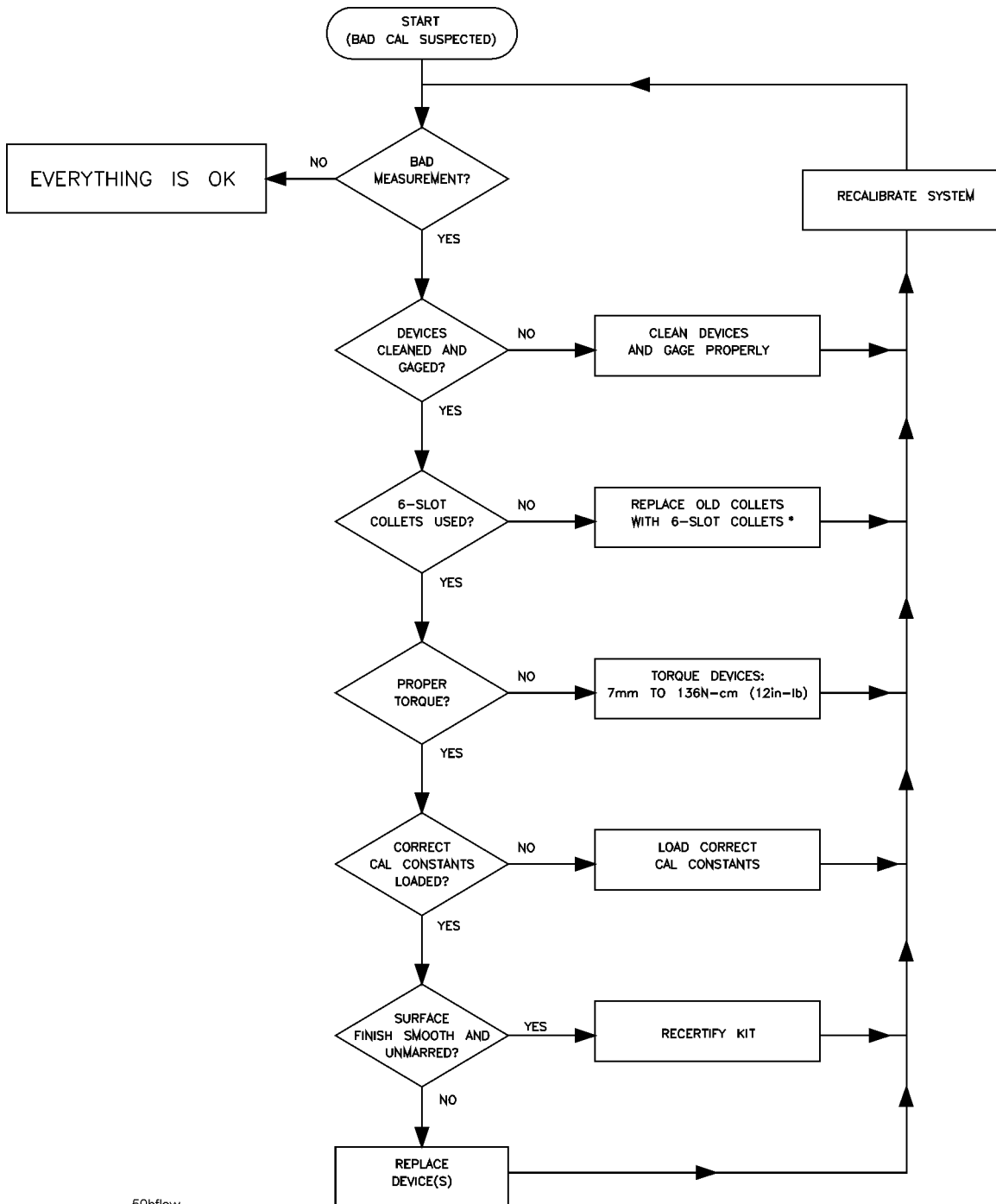
See [“Contacting Agilent” on page 5-4](#) for information on where to send your kit for recertification. Refer to [“Returning a Kit or Device to Agilent” on page 5-3](#) for details on sending your kit.

5 Troubleshooting

Troubleshooting Process

If you suspect a bad calibration, or if your network analyzer does not pass performance verification, follow the steps in Figure 5-1.

Figure 5-1 Troubleshooting Flowchart



50bflow

Where to Look for More Information

This manual contains limited information about network analyzer system operation. For detailed information on using a VNA, ENA or PNA series network analyzer, refer to the appropriate user guide or online Help.

- To view the ENA or PNA online Help, press the Help key on the front panel of the network analyzer.
- To view an online VNA user guide, use the following steps:
 1. Go to *www.agilent.com*.
 2. Enter your VNA model number (Ex: 8753ES) in the Search box and click **Search**.
 3. Under the heading **Manuals & Guides**, click on the title/hyperlink for the document PDF you want to view.

If you need additional information, see “Contacting Agilent” on page 4.

Returning a Kit or Device to Agilent

If your kit or device requires service, contact Agilent Technologies for information on where to send it. See “Contacting Agilent” on page 4. Include a service tag (located near the end of this manual) on which you provide the following information:

- your company name and address
- a technical contact person within your company, and the person's complete telephone number
- the model number and serial number of the kit
- the part number and serial number of each device
- the type of service required
- a *detailed* description of the problem and how the device was being used when the problem occurred (such as calibration or measurement)

Contacting Agilent

Assistance with test and measurements needs and information on finding a local Agilent office are available on the Web at:

www.agilent.com/find/assist

If you do not have access to the Internet, please contact your Agilent field engineer.

NOTE In any correspondence or telephone conversation, refer to the Agilent product by its model number and full serial number. With this information, the Agilent representative can determine whether your product is still within its warranty period.

6 Replaceable Parts

Introduction

Table 6-1 lists the replacement part numbers for the 85050C calibration kit.

Table 6-2 lists the replacement part numbers for items not included in the calibration kit that are either required or recommended for successful operation of the kit.

To order a listed part, note the description, the part number, and the quantity desired. Telephone or send your order to Agilent Technologies. See “Contacting Agilent” on page 5-4.

Table 6-1 Replaceable Parts for the 85050C Calibration Kit

Description	Qty	Agilent Part Number
Calibration Devices (7 mm)		
7 mm broadband load	1	85050-60006
7 mm lowband load	1	00909-60003
7 mm short (collet style)	1	85050-80009
7 mm short (threaded center conductor style)	1	85050-80008
TRL adapter	1	85050-60005
7 mm open	1	85050-80010
7 mm precision airline	1	85050-60003
Tools		
3/4 in, 135 N-cm (12 in-lb) torque wrench	1	8710-1766
7 mm connector collet extractor tool	1	5060-0370
Miscellaneous Items		
Pin/collet assembly	2	85050-60007
Center conductor collets	4	85050-20001
7 mm connector gage set ^a	1	85050-80012
User’s and service guide	1	85050-90051
Calibration Kit Storage Case		
Box	1	5180-8419
Foam (top)	1	5181-5542
Foam (bottom)	1	85050-80034

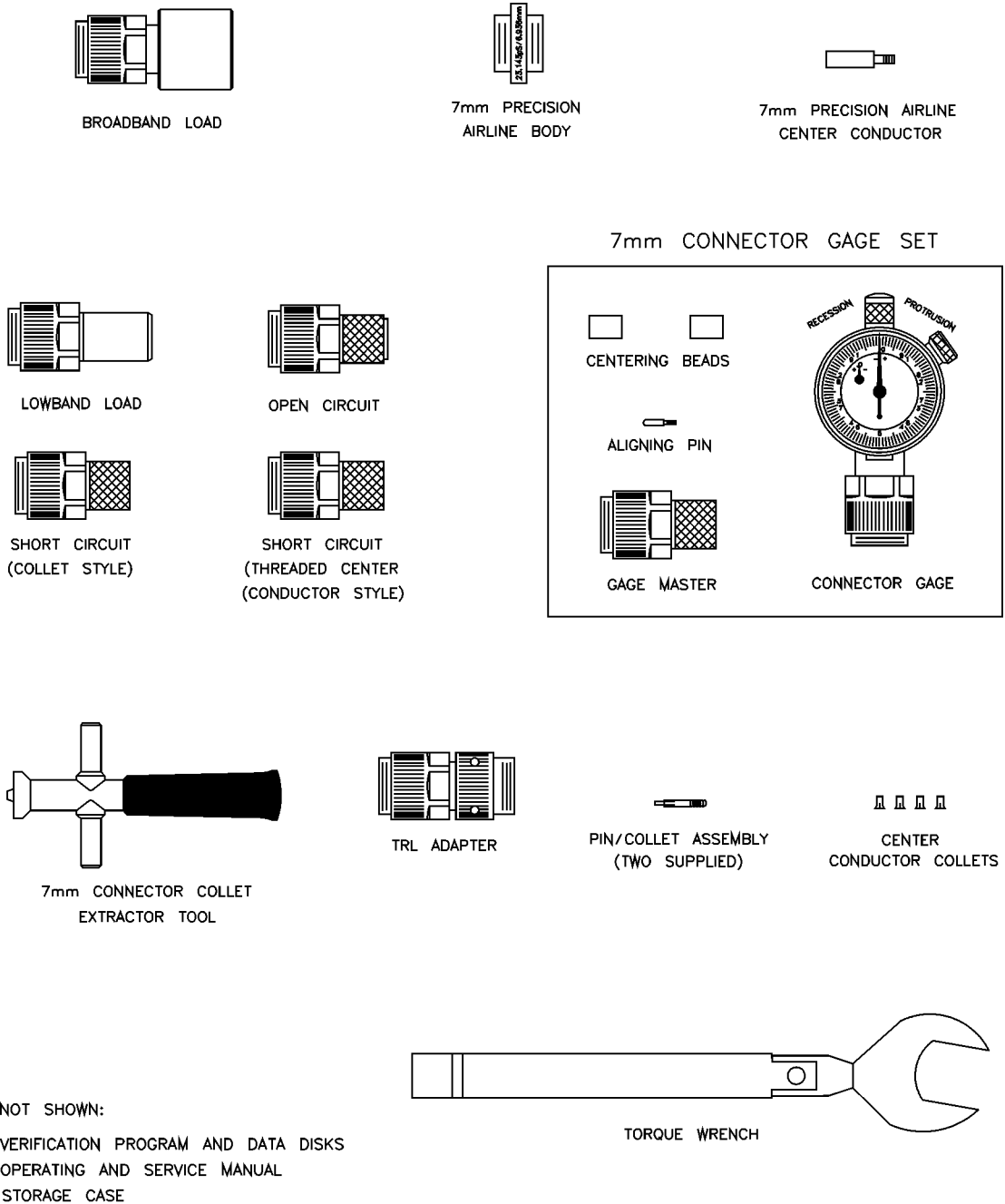
a. Gage set includes gage, gage master, aligning pin, and two centering beads.

Table 6-2 Items Not Included in the Calibration Kit

Description	Qty	Agilent Part Number
Anhydrous isopropyl alcohol (>92% pure) ^a	--	--
Cleaning swabs	100	9301-1243
Grounding wrist strap	1	9300-1367
5 ft grounding cord for wrist strap	1	9300-0980
2 ft by 4 ft conductive table mat with 15 ft grounding wire	1	9300-0797
ESD heel strap	1	9300-1308

a. Agilent can no longer safely ship isopropyl alcohol, so customers should purchase it locally.

Figure 6-1 Replaceable Parts for the 85050C Calibration Kit



parts50c

A Standard Definitions

Class Assignments and Standard Definitions Values are Available on the Web

Class assignments and standard definitions may change as more accurate model and calibration methods are developed. You can download the most recent class assignments and standard definitions from Agilent's Calibration Kit Definitions Web page at <http://na.tm.agilent.com/pna/caldefs/stddefs.html>.

For a detailed discussion of calibration kits, refer to the Agilent Application Note, "Specifying Calibration Standards and Kits for Agilent Vector Network Analyzers." This application note covers calibration standard definitions, calibration kit content and its structure requirements for Agilent vector network analyzers. It also provides some examples of how to set up a new calibration kit and how to modify an existing calibration kit definition file. To download a free copy, go to www.agilent.com and enter literature number 5989-4840EN in the Search window.

A

adapter, TRL, 3-16
 adapters
 specifications, 2-7
 Agilent Technologies
 application note, A-2
 contacting, 5-3, 5-4
 agreements
 customer assistance, -iii
 maintenance, -iii
 airline
 mechanical dimensions, 2-6
 precision, 1-3, 2-5
 alcohol
 isopropyl
 as cleaning solvent, 3-4
 precautions for use of, 3-4
 assemblies, pin/collet, 3-19
 assistance
 customer, -iii
 who to contact, -iii

B

beads, centering, 3-19
 broadband loads, 1-2
 part numbers, 6-2
 specifications, 2-7

C

cal kit
 contents, 1-2
 history, 1-5
 verifying, 4-2
 calibration
 bad, 5-2
 certificate of, 4-3
 constants, *See* calibration definitions
 definitions
 entering, 1-3
 permanently stored, 1-3
 frequency, 1-6
 report, 4-3
 temperature, 2-2
 when to perform, 1-6
 calibration kit
 Agilent Application Note, A-2
 contents, 1-2
 drawing of, 6-4
 history, 1-5
 modifying definition files, A-2
 overview, 1-2
 performance
 how Agilent verifies, 4-2
 center conductor
 protrusion, 3-7
 recession, 3-7
 centering beads, using, 3-19
 certificate of calibration, 4-3
 certification

 of device specifications, 2-7
 characteristics
 mechanical, 2-3
 class assignments
 downloading from Agilent Web site, A-2
 cleaning connectors, 3-4
 cleaning supplies, 1-3
 compressed air
 for cleaning, 3-4
 connections, 3-2, 3-13
 ESD protection, 3-2, 3-13
 final, 3-13
 preliminary, 3-13
 separating, 3-15
 using torque wrench, 3-13
 connector
 cleaning, 3-4
 damage, 3-3
 defects, 3-3
 gage
 accuracy, 3-6
 dial, 3-7
 handling, 3-8
 reading, 3-7
 use of, 3-6
 zeroing, 3-8
 gaging, 3-6
 when to do, 3-6
 male, 3-8
 mating plane surfaces
 cleaning, 3-5
 threads
 cleaning, 3-4
 inspecting, 3-3
 visual inspection, 3-3
 wear, 3-3
 affect on electrical performance, 3-3
 constants, calibration, *See* calibration definitions
 contacting Agilent Technologies, 5-3
 contents
 calibration kit, 1-2
 drawing of, 6-4
 incomplete
 what to do, 1-3

D

damage
 caused by electrostatic discharge, 3-2
 device, 3-3
 inspecting for, 3-3
 to connectors, 3-3
 data
 recertification, 4-3
 defective connectors, 3-3
 definitions
 calibration, 1-3
 deviation from nominal phase, 2-7
 device
 cleaning, 3-4
 connecting, 3-13

Index

- damage, [3-3](#)
- disconnecting, [3-15](#)
- handling, [3-20](#)
- maintenance, [1-5](#)
- performance
 - verifying, [4-2](#)
- specifications, [2-7](#)
 - certification of, [2-7](#)
 - electrical, [2-7](#)
 - traceability, [4-2](#), [4-3](#)
- storage, [3-20](#)
- temperature, [2-2](#)
- visual inspection, [3-3](#)

dial

- connector gage, [3-7](#)

disconnections, [3-15](#)

documentation, part number, [6-2](#)

downloading class assignments & std definitions from the Web, [A-2](#)

E

- electrical characteristics
 - effects of temperature, [2-2](#)
- electrical specifications, [2-7](#)
- electrostatic discharge, *See* ESD
- environmental
 - regulations, [3-4](#)
 - requirements, [2-2](#)
 - specifications, [2-2](#)
- equipment required, [1-3](#)
- ESD, [3-2](#)
 - protection, [3-2](#)

F

- flowchart, troubleshooting, [5-2](#)
- frequency of calibration, [1-6](#)
- frequency specifications, [2-7](#)

G

- gage
 - connector, [1-3](#)
 - dial, [3-7](#)
 - handling, [3-8](#)
 - reading, [3-7](#)
 - zeroing, [3-8](#)
- gaging
 - connectors, [3-6](#)
 - when to do, [3-6](#)
 - male connectors, [3-8](#)
 - to determine pin depth, [3-6](#)
- general information, [1-1](#)

H

- handling, [3-20](#)
- how often to calibrate, [1-6](#)
- humidity specifications, [2-2](#)

I

- incoming inspection, [1-3](#)

- information, troubleshooting, [5-3](#)
- inspection
 - damage, [3-3](#)
 - defects, [3-3](#)
 - incoming, [1-3](#)
 - mating plane surfaces, [3-3](#)
 - visual, [3-3](#)
- isopropyl alcohol
 - as cleaning solvent, [3-4](#)
 - precautions for use of, [3-4](#)

K

- kit
 - contents, [1-2](#), [6-4](#)
 - drawing of, [6-4](#)
 - overview, [1-2](#)

L

- limits
 - pin depth, [2-5](#)
- loads
 - broadband, [1-2](#)
 - part numbers, [6-2](#)

M

- maintenance, [3-2](#)
 - agreements, [-iii](#)
 - of devices, [1-5](#)
 - preventive, [1-5](#)
- making connections, [3-13](#)
 - ESD protection, [3-2](#), [3-13](#)
 - precautions, [3-13](#)
- manual
 - part number, [6-2](#)
 - printing, [-iii](#)
- mating plane surfaces
 - cleaning, [3-5](#)
 - connector, [3-5](#)
 - inspection of, [3-3](#)
- mechanical characteristics, [2-3](#)
 - affect on electrical performance, [2-3](#)
 - verifying, [3-6](#)
- mechanical dimensions, airline, [2-6](#)
- modifying calibration kit definition files, [A-2](#)

N

- National Institute of Standards and Technology (NIST), [2-7](#), [4-2](#)
- nitrogen, for cleaning, [3-4](#)
- numbers
 - replaceable parts, [6-2](#), [6-3](#)
 - serial, [1-4](#)

O

- observed limits
 - pin depth, [2-5](#)
- offset opens and shorts, [1-2](#)
 - part numbers, [6-2](#)
 - specifications, [2-7](#)

- open-end wrench, 1-2, 3-15
 - part number, 6-2
- opens, 1-2
 - part numbers, 6-2
 - specifications, 2-7
- ordering parts, 6-2, 6-3
- P**
- part numbers, 6-2
 - of items in kit, 6-2
 - of items not in kit, 6-3
- parts
 - included in kit, 1-2, 6-2
 - not included in kit, 6-2, 6-3
 - ordering, 6-2
 - replaceable, 6-2
- performance verification
 - failure, 5-2
- permanently stored calibration definitions, 1-3
- pin depth, 2-3
 - affect on electrical performance, 2-4
 - gaging to determine, 3-6
 - observed limits, 2-5, 3-6
 - protrusion, 2-3
 - recession, 2-3
 - typical values, 2-5
- pin/collet assemblies, using, 3-19
- precision airline, 1-3, 2-5
- preventive maintenance, 1-5
- procedure for using the pin/collet assemblies, 3-19
- procedure for using the TRL adapter, 3-16
- procedures
 - cleaning, 3-4
- protrusion
 - center conductor, 3-7
 - pin depth, 2-3
- R**
- reading connector gage, 3-7
- recertification
 - how to order, 4-3
 - interval, 4-3
 - locations, 4-3
 - services included, 4-3
- recession
 - center conductor, 3-7
 - pin depth, 2-3
- regulations
 - environmental, 2-2, 3-4
- replaceable parts, 6-2, 6-3
 - drawing of, 6-4
- report, calibration, 4-3
- requirements
 - environmental, 2-2
- return kit or device to Agilent, 1-3, 5-3
- return loss, specifications, 2-7
- devices, 1-4
 - recording, 1-4
- service, 5-3
- service tag, 4-3, 5-3
- shorts, 1-2
 - part numbers, 6-2
 - specifications, 2-7
- specifications, 2-2
 - adapters, 2-7
 - broadband loads, 2-7
 - certification of, 2-7
 - deviation from nominal phase, 2-7
 - device, 2-7
 - electrical, 2-7
 - environmental, 2-2
 - frequency, 2-7
 - humidity, 2-2
 - offset opens and shorts, 2-7
 - return loss, 2-7
 - sliding loads, 2-7
 - temperature, 2-2
 - torque wrench, 3-13
 - traceability, 4-2, 4-3
- standard definitions
 - downloading from Agilent Web site, A-2
- standards
 - international, 2-7
 - National Institute of Standards and Technology (NIST), 2-7, 4-2
- static
 - discharge, 3-2
 - electricity, 3-2
- storage, 3-20
- supplies
 - cleaning, 1-3
- swabs
 - cleaning, 3-4
- T**
- tag
 - service, 4-3, 5-3
- temperature
 - affect on electrical performance, 2-2
 - calibration, 2-2
 - cautions about, 2-2
 - changes in, 2-2
 - device, 2-2
 - error-corrected, 2-2
 - measurement, 2-2
 - specifications, 2-2
 - operating, 2-2
 - storage, 2-2
 - verification and measurement, 2-2
- test data, 4-3
- threads
 - connector
 - cleaning, 3-4
 - inspecting, 3-3
- torque wrench, 1-3
 - specifications, 3-13

Index

traceability
of device specifications, [4-2](#), [4-3](#)
TRL adapter, using, [3-16](#)
troubleshooting, flowchart, [5-2](#)

U

user's and service guide
part number, [6-2](#)
using the centering beads, [3-19](#)
using the pin/collet assemblies, [3-19](#)
using the TRL adapter, [3-16](#)

V

verification
performance, [4-3](#)
temperature, [2-2](#)
visual inspection, [3-3](#)

W

wear
connector, [3-3](#)
affect on electrical performance, [3-3](#)
when to calibrate, [1-6](#)
wrench
open-end, [1-3](#), [3-14](#), [3-15](#)
proper positioning of, [3-14](#)
torque, [1-3](#), [3-13](#), [3-14](#), [3-15](#)
precautions for use of, [3-15](#)
proper use of, [3-15](#)

Z

zeroing
connector gage, [3-8](#)